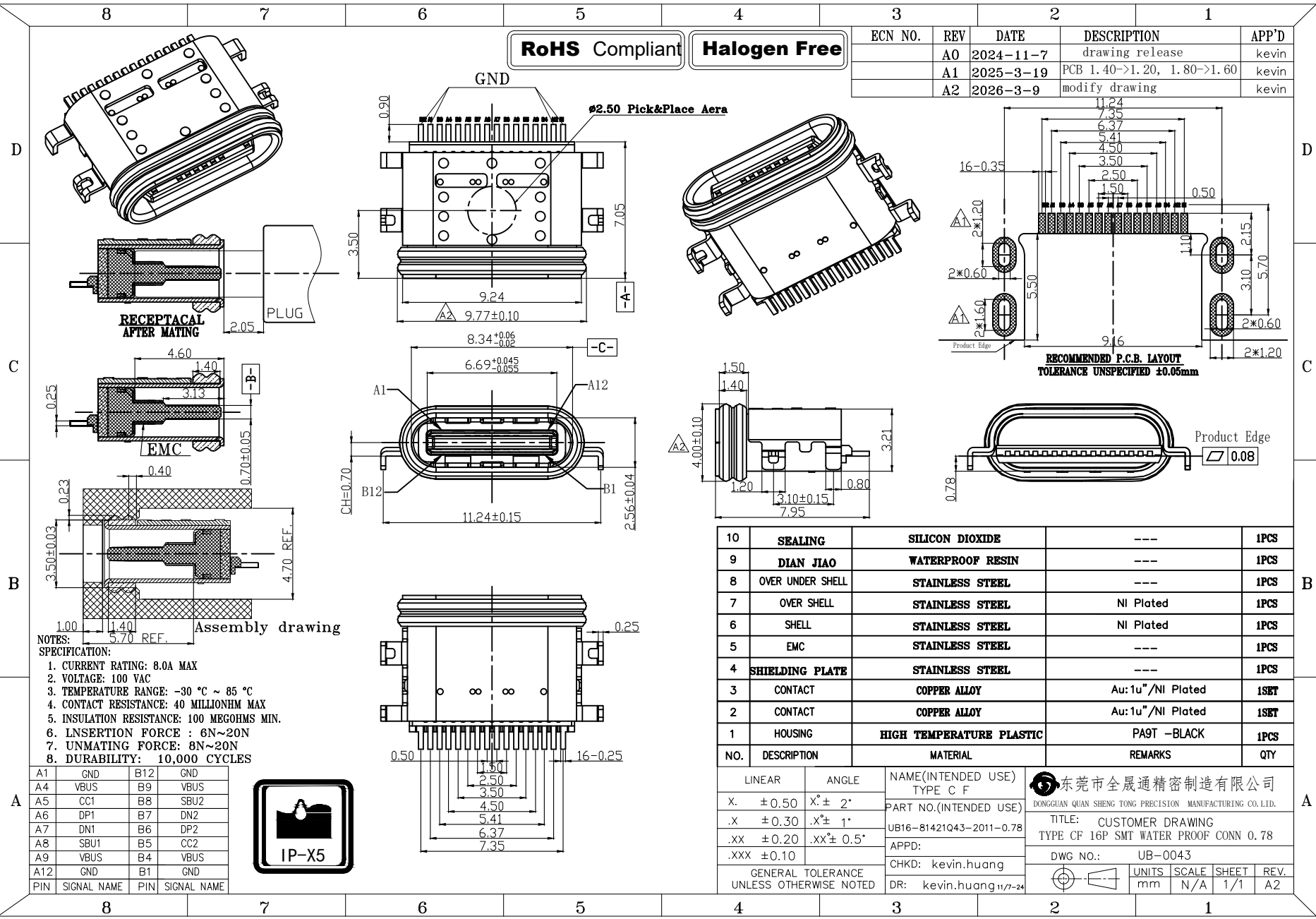


RoHS Compliant Halogen Free

ECN NO.	REV	DATE	DESCRIPTION	APP'D
	A0	2024-11-7	drawing release	kevin
	A1	2025-3-19	PCB 1.40->1.20, 1.80->1.60	kevin
	A2	2026-3-9	modify drawing	kevin



RECEPTACLE AFTER MATING

EMC

RECOMMENDED P.C.B. LAYOUT
TOLERANCE UNSPECIFIED ±0.05mm

NOTES:
SPECIFICATION:

- CURRENT RATING: 8.0A MAX
- VOLTAGE: 100 VAC
- TEMPERATURE RANGE: -30 °C ~ 85 °C
- CONTACT RESISTANCE: 40 MILLIONHM MAX
- INSULATION RESISTANCE: 100 MEGOHMS MIN.
- INSERTION FORCE : 6N~20N
- UNMATING FORCE: 8N~20N
- DURABILITY: 10,000 CYCLES

A1	GND	B12	GND
A4	VBUS	B9	VBUS
A5	CC1	B8	SBU2
A6	DP1	B7	DN2
A7	DN1	B6	DP2
A8	SBU1	B5	CC2
A9	VBUS	B4	VBUS
A12	GND	B1	GND
PIN	SIGNAL NAME	PIN	SIGNAL NAME



NO.	DESCRIPTION	MATERIAL	REMARKS	QTY
10	SEALING	SILICON DIOXIDE	---	1PCS
9	DIAN JIAO	WATERPROOF RESIN	---	1PCS
8	OVER UNDER SHELL	STAINLESS STEEL	---	1PCS
7	OVER SHELL	STAINLESS STEEL	Ni Plated	1PCS
6	SHELL	STAINLESS STEEL	Ni Plated	1PCS
5	EMC	STAINLESS STEEL	---	1PCS
4	SHIELDING PLATE	STAINLESS STEEL	---	1PCS
3	CONTACT	COPPER ALLOY	Au:1u"/Ni Plated	1SET
2	CONTACT	COPPER ALLOY	Au:1u"/Ni Plated	1SET
1	HOUSING	HIGH TEMPERATURE PLASTIC	PA6T -BLACK	1PCS

LINEAR	ANGLE	NAME(INTENDED USE)
X. ±0.50	X°± 2°	TYPE C F
.X ±0.30	.X°± 1°	PART NO.(INTENDED USE)
.XX ±0.20	.XX°± 0.5°	UB16-81421Q43-2011-0.78
.XXX ±0.10		APPD:
GENERAL TOLERANCE UNLESS OTHERWISE NOTED		CHKD: kevin.huang
		DR: kevin.huang 11/7-24

东莞市全晟通精密制造有限公司
DONGGUAN QUAN SHENG TONG PRECISION MANUFACTURING CO. LTD.

TITLE: CUSTOMER DRAWING
TYPE CF 16P SMT WATER PROOF CONN 0.78

DWG NO.: UB-0043

UNITS	SCALE	SHEET	REV.
mm	N/A	1/1	A2