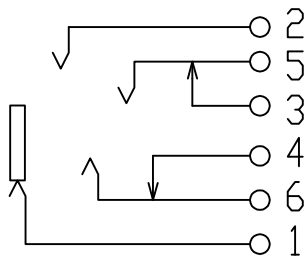
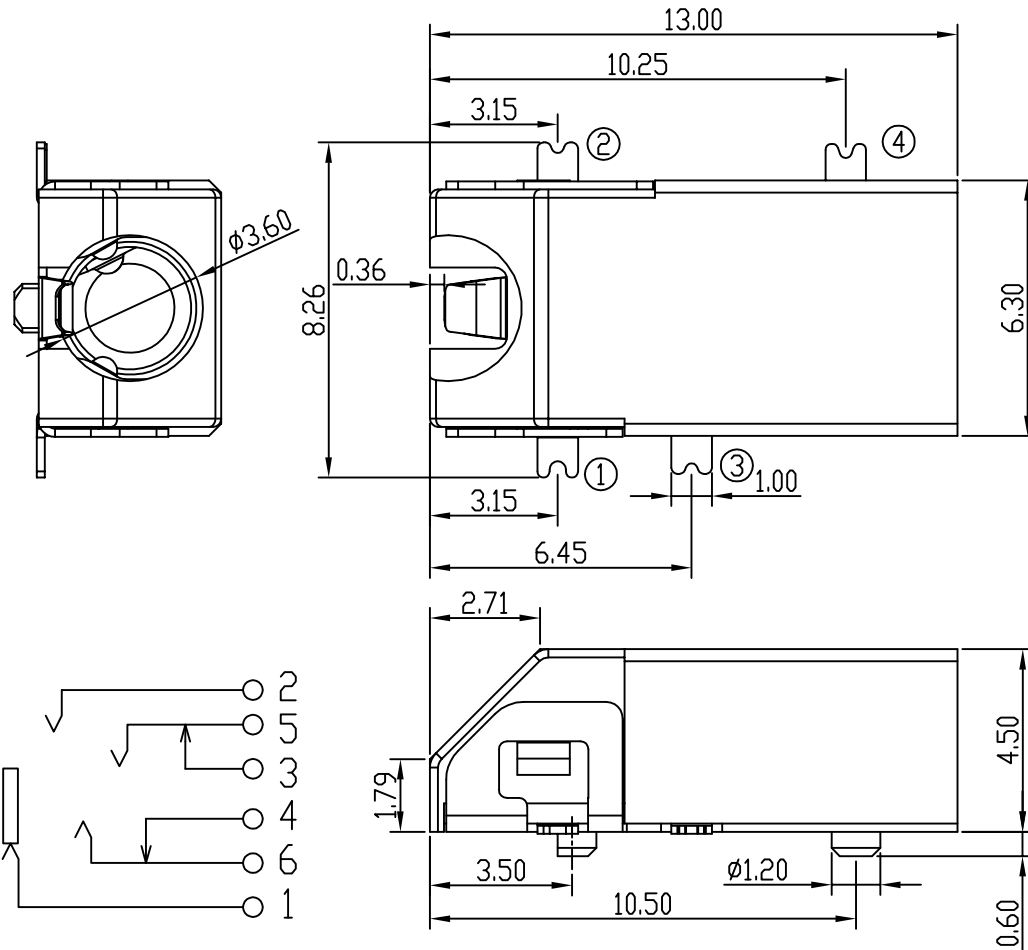
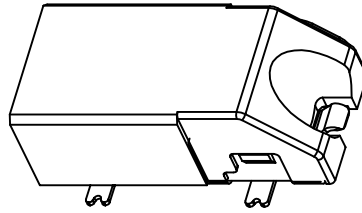
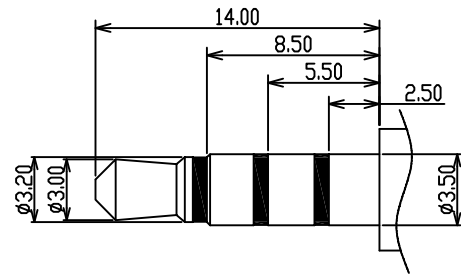


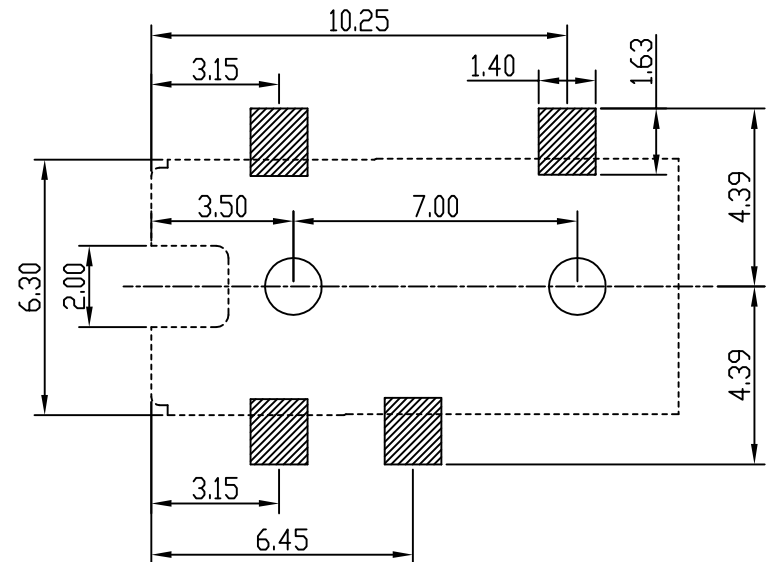
ECN NO.	REV	DATE	DESCRIPTION	APP'D
	A0	20120325	drawing release	kevin

NOTES:

- MATERIAL:  
HOUSING:LCP(KUL 94V-0)  
TERMINAL:PHOSPHOR BRONZE,T=0.25mm
- PLATING:  
TERMINIAL:  
SEE ORDERING INFORMATION
- RATING:  
OPERATING VOLTGE:50V(AC/DC)  
CURRENT RATING:0.5A(AC/DC)  
OPERATING TEMPERATURE:-20°C~+85°C  
DURABILITY:5000 CYCLES  
INSERTED FORCE:0.22-2.22KGS  
WITHDRAWAL FORCE:0.22-2.22KGS
- PRODUCT ACCORD WITH ROHS OF EUROPE



CIRCUIT DIAGRAM



RECOMMENDED PCB LAYOUT

TOLERANCE=±0.05

LINEAR	ANGLE	NAME(INTENDED USE) PHONE JACK	东莞市全晟通精密制造有限公司			
X. ±0.30	X. ±2.0°	PART NO.(INTENDED USE) PJ06-8142249	DONGGUAN QUAN SHENG TONG PRECISION MANUFACTURING CO.LTD			
.X ±0.20	.X ±1.0°	APPD:	TITLE: CUSTOMER DRAWING PJ06-8142249			
.XX ±0.10	.XX ±0.5°	CHKD:	DWG NO.:			
.XXX ±0.05		DR:	UNITS SCALE SHEET REV. mm N/A 1/1 AO			
GENERAL TOLERANCE UNLESS OTHERWISE NOTED		3/9-16				