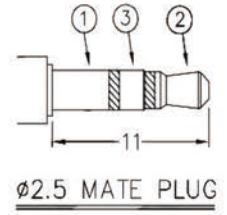
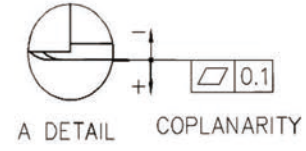
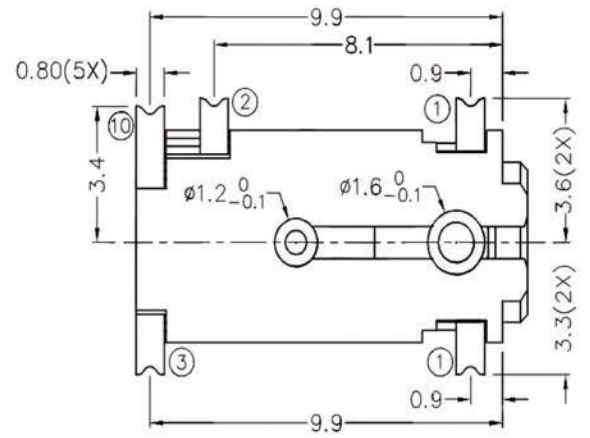
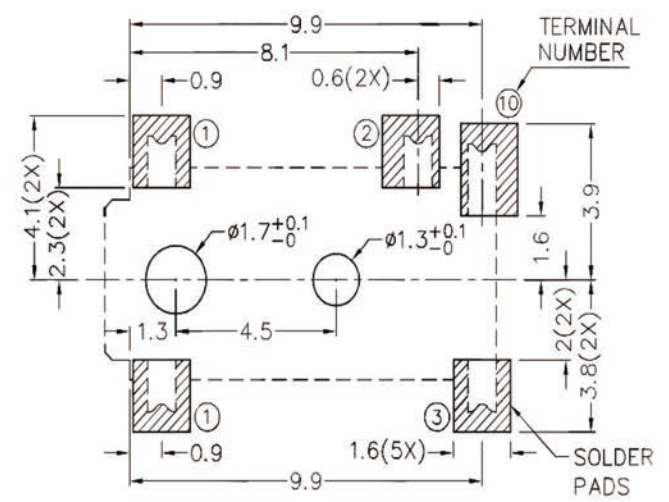
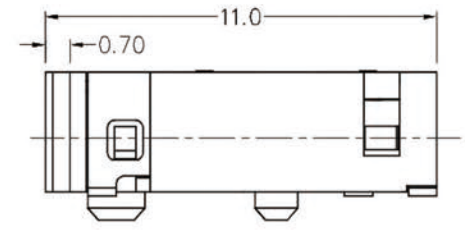
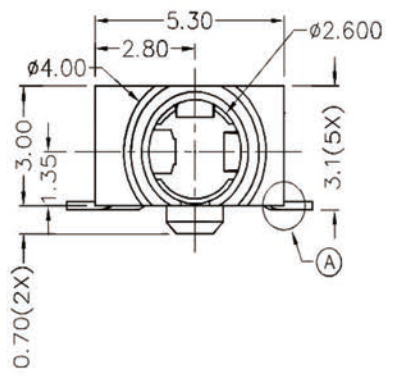
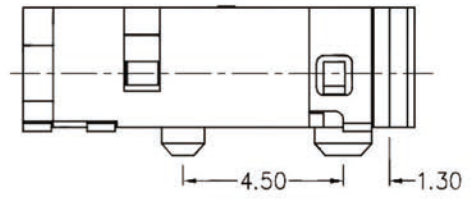
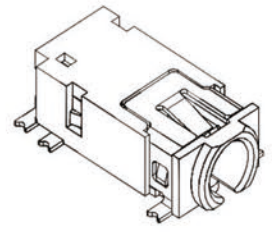


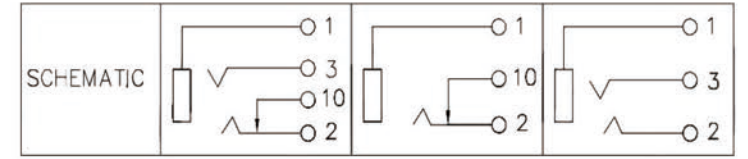
ECN NO.	REV	DATE	DESCRIPTION	APP'D
	AO	20120325	drawing release	kevin



RECOMMENDED PCB LAYOUT
TOLERANCE: ±0.05
(TOP VIEW)

*** MATERIAL**

- TERMINAL 1 : COPPER ALLOY
- TERMINAL 2 : COPPER ALLOY
- TERMINAL 3 : COPPER ALLOY
- TERMINAL 10: BRASS
- HOUSING : HIGH TEMP. PLASTIC



LINEAR	ANGLE	NAME(INTENDED USE) PHONE JACK	东莞市全晟通精密制造有限公司 DONGGUAN QUAN SHENG TONG PRECISION MANUFACTURING CO. LTD
X.X ±0.2		PART NO.(INTENDED USE) PJ06-8142353	
X.XX ±0.1		APPD:	
X.XXX ±0.5		CHKD:	
GENERAL TOLERANCE UNLESS OTHERWISE NOTED		DR:	TITLE: CUSTOMER DRAWING PJ06-8142353 DWG NO.: UNITS: mm SCALE: N/A SHEET: 1/1 REV: A0